



Meat Tenderizer
Model MT-CA-0150
Item 11059
Instruction Manual



Revised - 11/16/2021



Toll Free: 1-800-465-0234
Fax: 905-607-0234
Email: service@omcan.com
www.omcan.com

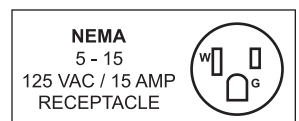


Table of Contents

Model MT-CA-0150

Section	Page
General Information -----	3 - 4
Safety and Warranty -----	4 - 5
Technical Specifications -----	5
Maintenance -----	6 - 8
Parts Breakdown -----	9 - 22
Electrical Schematics -----	23
Notes -----	24 - 26
Warranty Registration -----	27



General Information

Omcan Manufacturing and Distributing Company Inc., Food Machinery of America, Inc. dba Omcan and Omcan Inc. are not responsible for any harm or injury caused due to any person's improper or negligent use of this equipment. The product shall only be operated by someone over the age of 18, of sound mind, and not under the influence of any drugs or alcohol, who has been trained in the correct operation of this machine, and is wearing authorized, proper safety clothing. Any modification to the machine voids any warranty, and may cause harm to individuals using the machine or in the vicinity of the machine while in operation.

CHECK PACKAGE UPON ARRIVAL

Upon receipt of an Omcan shipment please inspect for external damage. If no damage is evident on the external packaging, open carton to ensure all ordered items are within the box, and there is no concealed damage to the machine. If the package has suffered rough handling, bumps or damage (visible or concealed), please note it on the bill of lading before accepting the delivery and contact Omcan within 24 hours, so we may initiate a claim with the carrier. A detailed report on the extent of the damage caused to the machine must be filled out within three days, from the delivery date shown in the shipping documents. Omcan has no recourse for damaged products that were shipped collect or third party.

Before operating any equipment, always read and familiarize yourself with all operation and safety instructions.

Omcan would like to thank you for purchasing this machine. It's of the utmost importance to save these instructions for future reference. Also save the original box and packaging for shipping the equipment if servicing or returning of the machine is required.

Omcan Fabrication et distribution Compañie Limité et Food Machinery d'Amérique, dba Omcan et Omcan Inc. ne sont pas responsables de tout dommage ou blessure causé du fait que toute personne ait utilisé cet équipement de façon irrégulière. Le produit ne doit être exploité que par quelqu'un de plus de 18 ans, saine d'esprit, et pas sous l'influence d'une drogue ou d'alcool, qui a été formé pour utiliser cette machine correctement, et est vêtu de vêtements de sécurité approprié. Toute modification de la machine annule toute garantie, et peut causer un préjudice à des personnes utilisant la machine ou des personnes à proximité de la machine pendant son fonctionnement.

VÉRIFIEZ LE COLIS DÈS RÉCEPTION

Dès réception d'une expédition d'Omcan veuillez inspecter pour dommages externes. Si aucun dommage n'est visible sur l'emballage externe, ouvrez le carton afin de s'assurer que tous les éléments commandés sont dans la boîte, et il n'y a aucun dommage dissimulé à la machine. Si le colis n'a subi aucune mauvaises manipulations, de bosses ou de dommages (visible ou cachée), notez-le sur le bond de livraison avant d'accepter la livraison et contactez Omcan dans les 24 heures qui suivent, pour que nous puissions engager une réclamation auprès du transporteur. Un rapport détaillé sur l'étendue des dommages causés à la machine doit être rempli dans un délai de trois jours, à compter de la date de livraison indiquée dans les documents d'expédition. Omcan n'a aucun droit de recours pour les produits endommagés qui ont été expédiés ou cueilli par un tiers transporteur.

General Information

Avant d'utiliser n'importe quel équipement, toujours lire et vous familiariser avec toutes les opérations et les consignes de sécurité.

Omcan voudrais vous remercier d'avoir choisi cette machine. Il est primordial de conserver ces instructions pour une référence ultérieure. Également conservez la boîte originale et l'emballage pour l'expédition de l'équipement si l'entretien ou le retour de la machine est nécessaire.

Omcan Empresa De Fabricacion Y Distribucion Inc. Y Maquinaria De Alimentos De America, Inc. dba Omcan y Omcan Inc. no son responsables de ningun daño o perjuicio causado por cualquier persona inadecuada o el uso descuidado de este equipo. El producto solo podra ser operado por una persona mayor de 18 años, en su sano juicio y no bajo alguna influencia de droga o alcohol, y que este ha sido entrenado en el correcto funcionamiento de esta máquina, y ésta usando ropa apropiada y autorizada. Cualquier modificación a la máquina anula la garantía y puede causar daños a las personas usando la máquina mientras esta en el funcionamiento.

REVISE EL PAQUETE A SU LLEGADA

Tras la recepcion de un envio Omcan favor inspeccionar daños externos. Si no hay daños evidentes en el empaque exterior, Habra el carton para asegurarse que todos los articulos solicitados estén dentro de la caja y no encuentre daños ocultos en la máquina. Si el paquete ha sufrido un manejo de poco cuidado, golpes o daños (visible o oculto) por favor anote en la factura antes de aceptar la entrega y contacte Omcan dentro de las 24 horas, de modo que podamos iniciar una reclamación con la compañía. Un informe detallado sobre los daños causados a la máquina debe ser llenado en el plazo de tres días, desde la fecha de entrega que se muestra en los documentos de envío. Omcan no tiene ningun recurso por productos dañados que se enviaron a recoger por terceros.

Antes de utilizar cualquier equipo, siempre lea y familiarizarse con todas las instrucciones de funcionamiento y seguridad.

Omcan le gustaría darle las gracias por la compra de esta máquina. Es de la mayor importancia para salvar estas instrucciones para futuras consultas. Además, guarda la caja original y el embalaje para el envío del equipo si servicio técnico o devolución de la máquina que se requiere.

Safety and Warranty

RESIDENTIAL USERS: Vendor assumes no liability for parts or labor coverage for component failure or other damages resulting from installation in non-commercial or residential applications. The right is reserved to deny shipment for residential usage; if this occurs, you will be notified as soon as possible.

1 YEAR PARTS AND LABOR WARRANTY



Safety and Warranty

Within the warranty period, contact Omcan Inc. at 1-800-465-0234 to schedule an Omcan authorized service technician to repair the equipment locally.

Unauthorized maintenance will void the warranty. Warranty covers electrical and part failures, not improper use.

Please see <https://omcan.com/disclaimer> for complete info.

WARNING:

The packaging components (cardboard, polyethylene, and others) are classified as normal solid urban waste and can therefore be disposed of without difficulty.

In any case, for suitable recycling, we suggest disposing of the products separately (differentiated waste) according to the current norms.

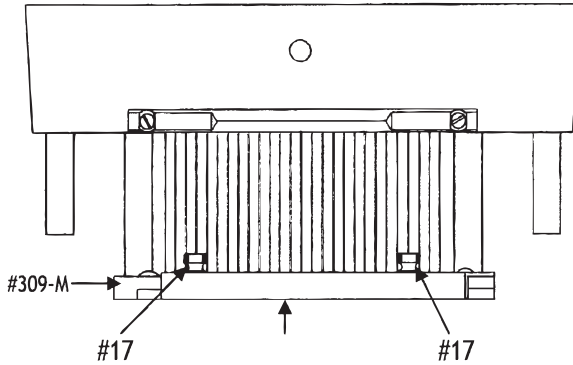
DO NOT DISCARD ANY PACKAGING MATERIALS IN THE ENVIRONMENT!

Technical Specifications

Model	MT-CA-0150
Clearance	4.5" / 114mm
Speed	60 strokes / minute
Electrical	115V / 60Hz / 1
Motor Power	3/4 HP
Weight	185 lbs. / 83.9 kgs.
Dimensions	23" x 27" x 31" / 584 x 686 x 787mm
Packaging Dimensions	31" x 31" x 32" / 787 x 787 x 813mm
Item Number	11059

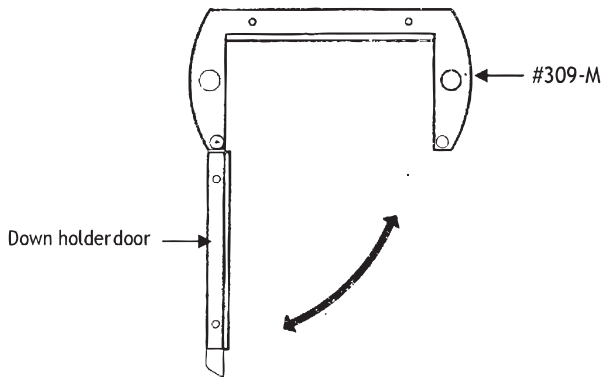
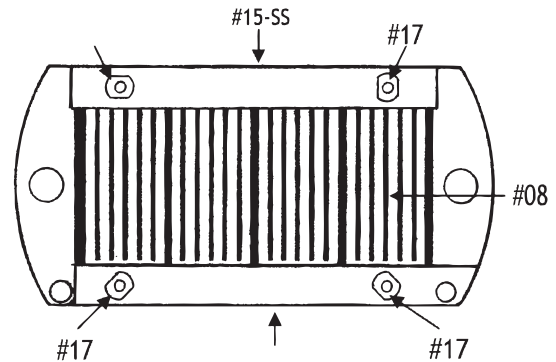
Maintenance

DISASSEMBLING



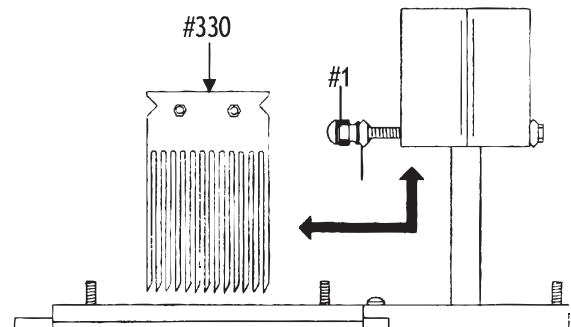
1 Unscrew the four (4) knurled nuts (#17) (using the 1/2" key supplied with your MT150M)

2 Remove the two (2) flat bars (#315 & #15-SS)



3 (a) Open the door of the down holder
(b) Remove the four (4) plastic guides (#08)

4 (a) Unscrew the two (2) knurled nuts (#17) on block (using the 1/2" key supplied with your MT150M)
(b) Remove the complete set of blades (#330)



Maintenance

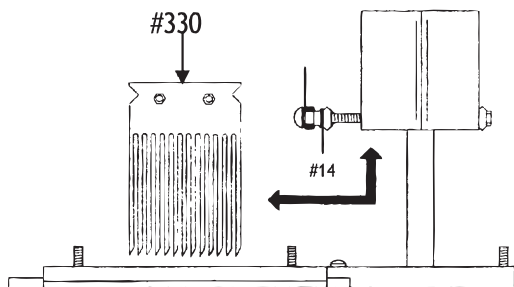
CLEANING

Once you have disassembled the components and removed the set of blades, proceed as follows:

- On a daily basis, soak the set of blades (#330) entirely, the two flat bars (#315 and #15-SS) and the plastic guides (#08) overnight and with a cleaning agent approved for meat equipment.
- The following day, rinse all aforementioned components with a disinfectant in order to sterilize them properly.
- We do not recommend that you use a pressure cleaning machine to wash your tenderizer and its components.

For the best performance, make sure you keep the two exterior shafts clean at all times, using a dry cloth, never use oil or grease on the exterior shafts as the locking rings will not operate properly and the piece of meat will stick to the blades and go up and down with them. However, the two interior shafts also need to be cleaned on a daily basis, with a proper solid lubricant that is approved for meat equipment.

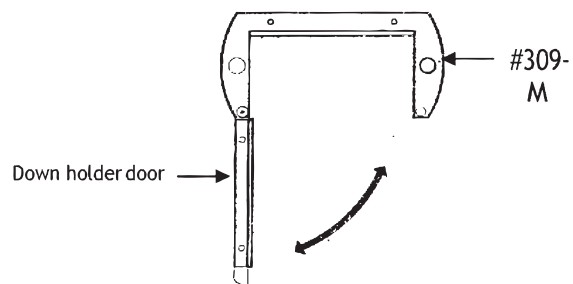
REASSEMBLING



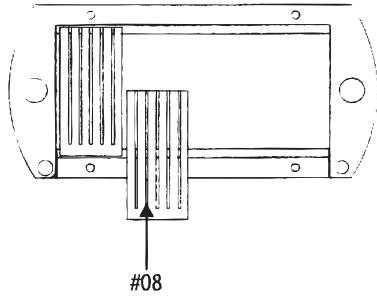
- A**
- Put the set of blades (#330) back on (make sure that the pointy ends of the blades are facing outside, as shown)
 - Screw the two (2) knurled nuts (#17) back on the block (using the ½" key supplied with your MT150M. Do not over-tighten)
 **Verify frequently the blade holder or use ½" key supplied with machine

B

Close the door of the down holder

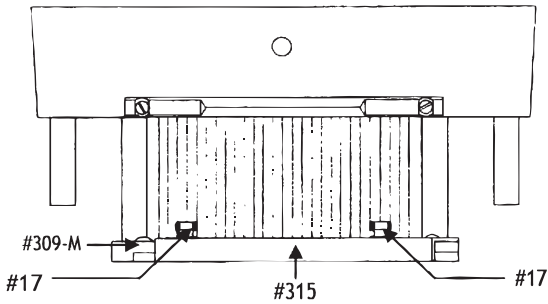
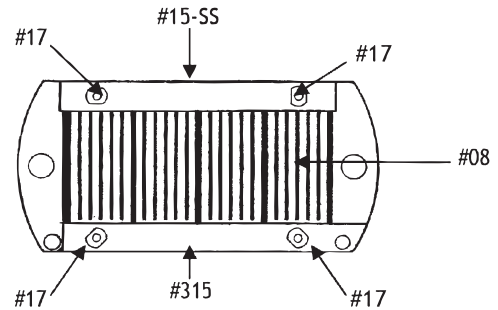


Maintenance



C Put the four (4) plastic guides (#08) back on (sliding them downwards)

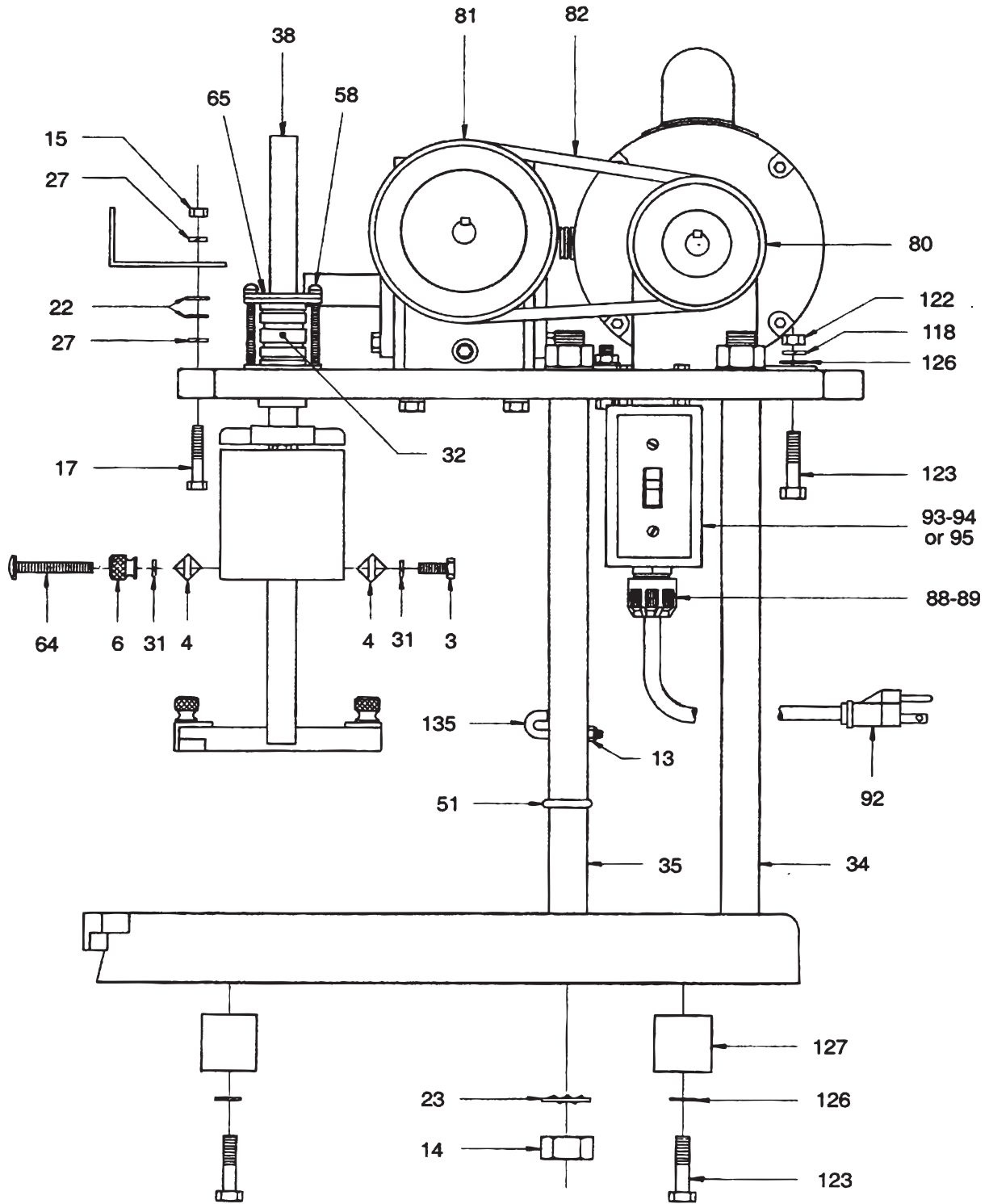
D Put the two (2) flat bars (#315 & #15-SS) back on



E Screw the four (4) knurled nuts (#17) back on (using the 1/2" key supplied with your MT150M. Do not over-tighten)

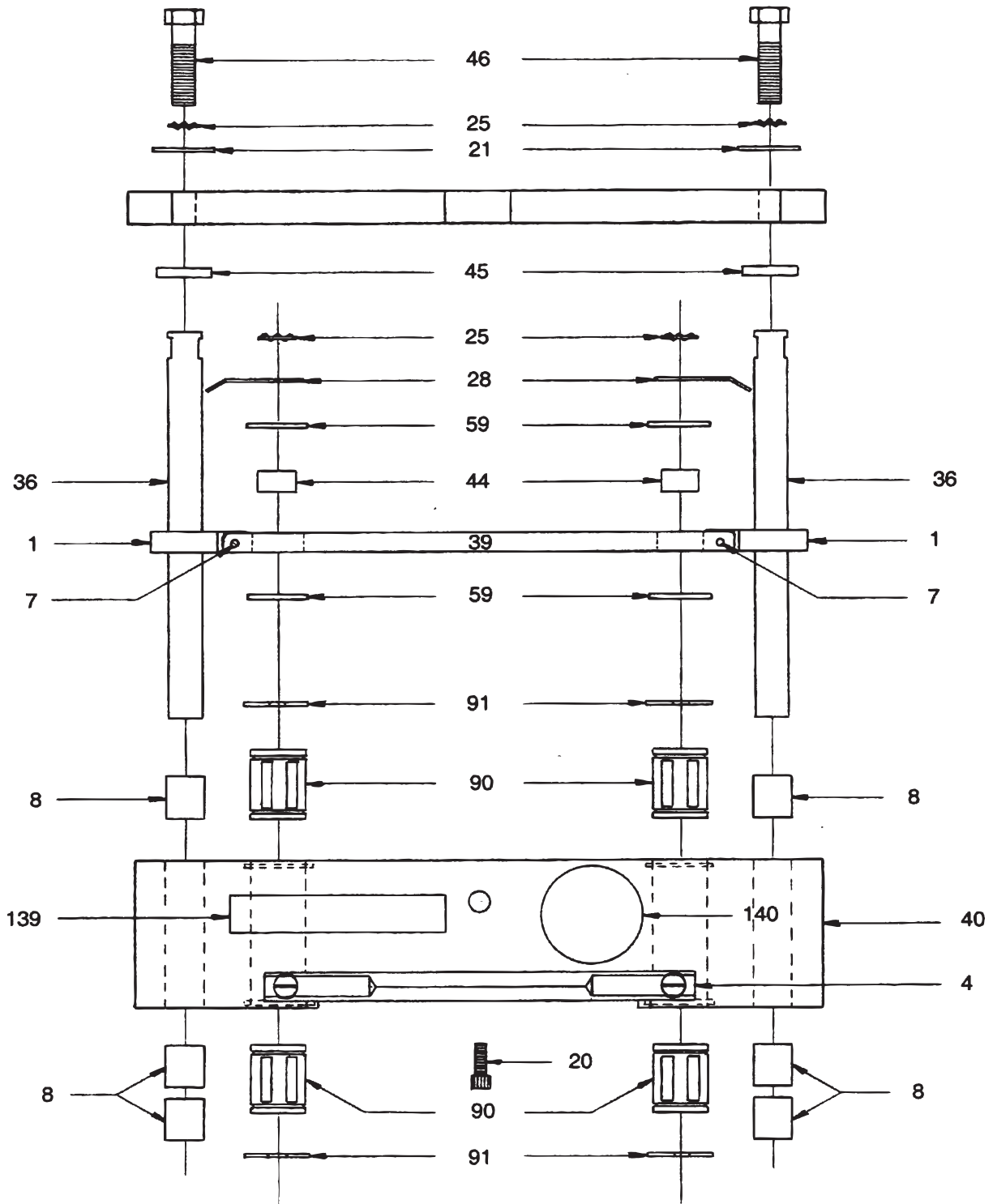
Parts Breakdown

Model MT-CA-0150 11059



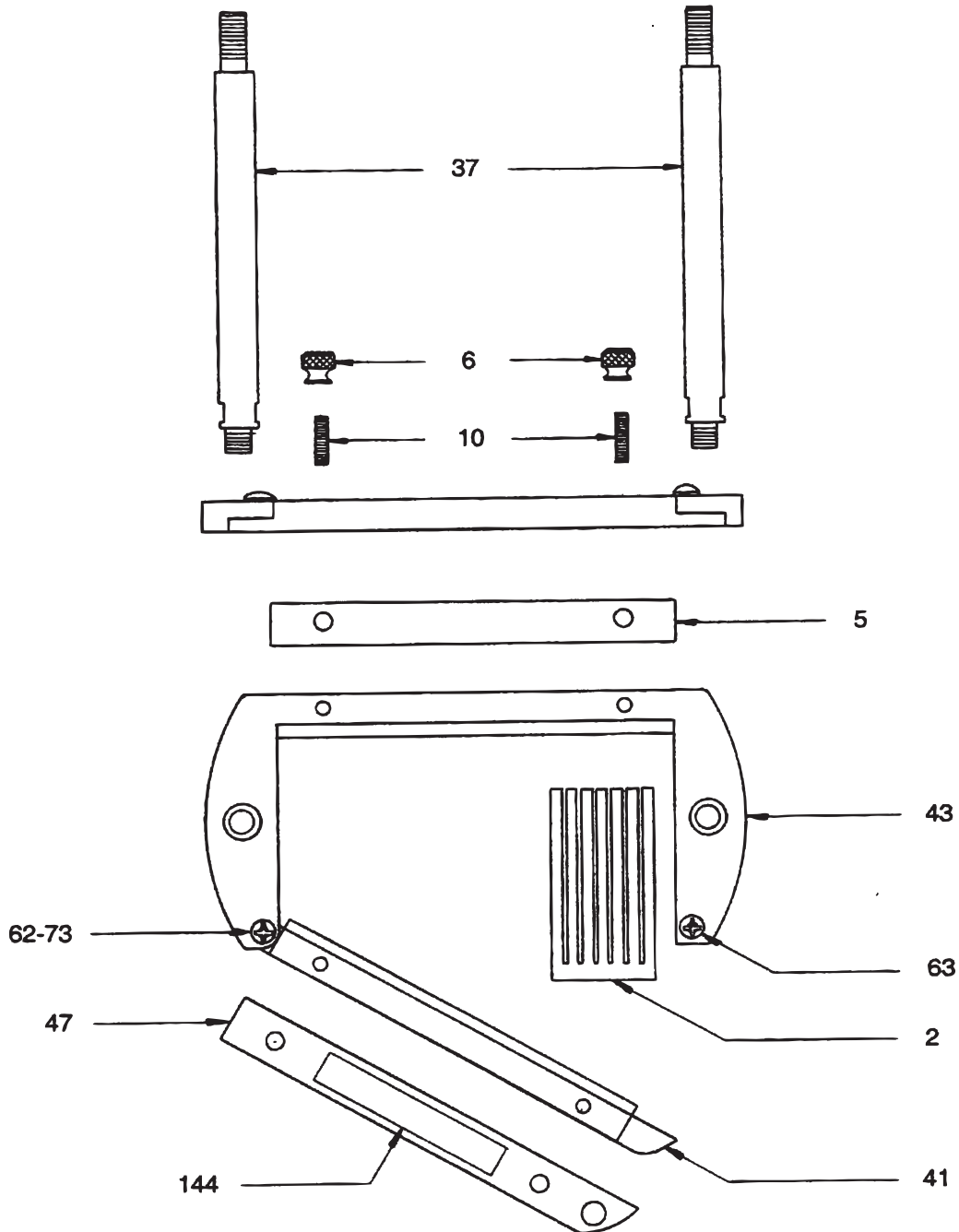
Parts Breakdown

Model MT-CA-0150 11059



Parts Breakdown

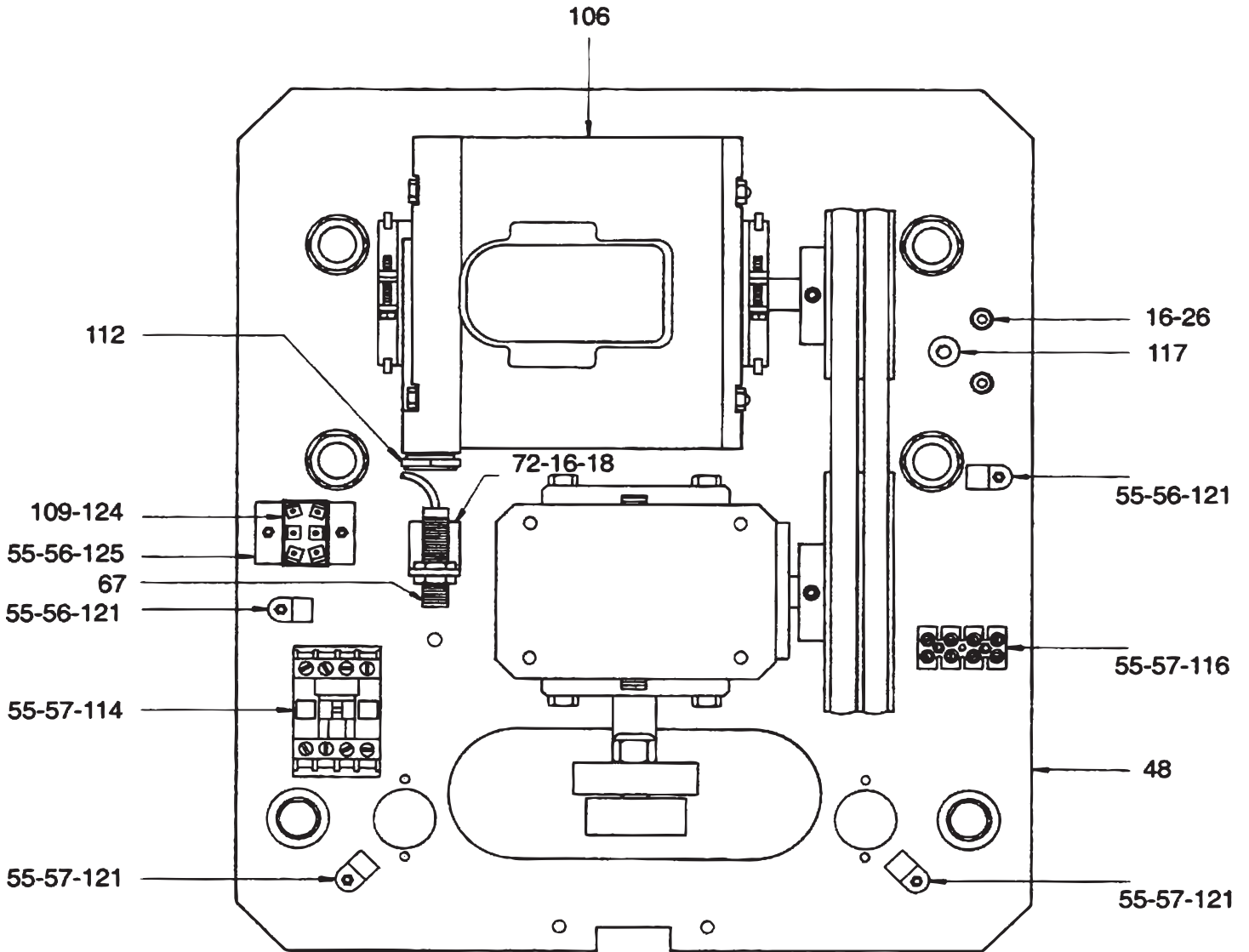
Model MT-CA-0150 11059



Down Holder ASSY see ref. #42
 42 = (43-41-62-63-73-10).

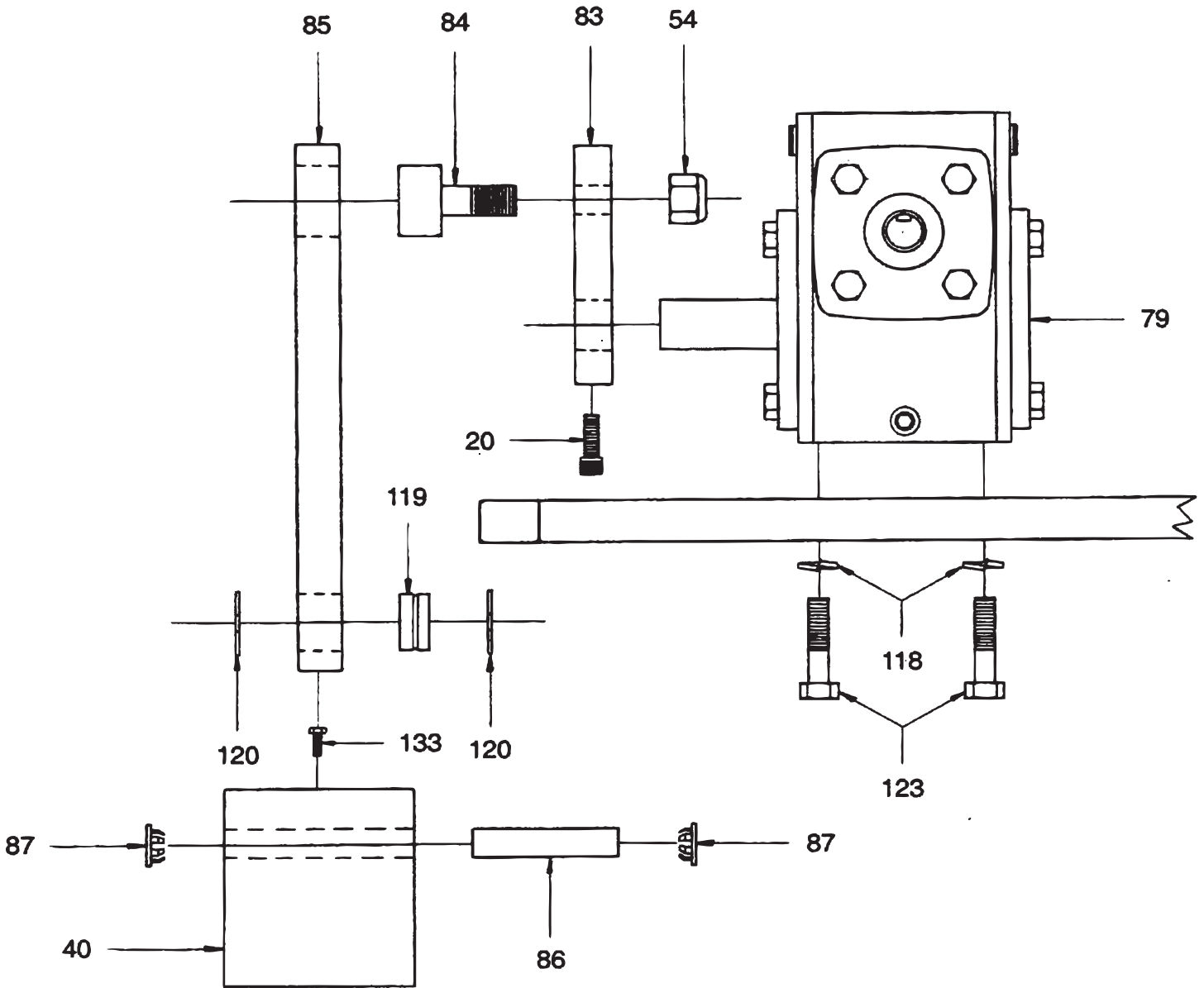
Parts Breakdown

Model MT-CA-0150 11059



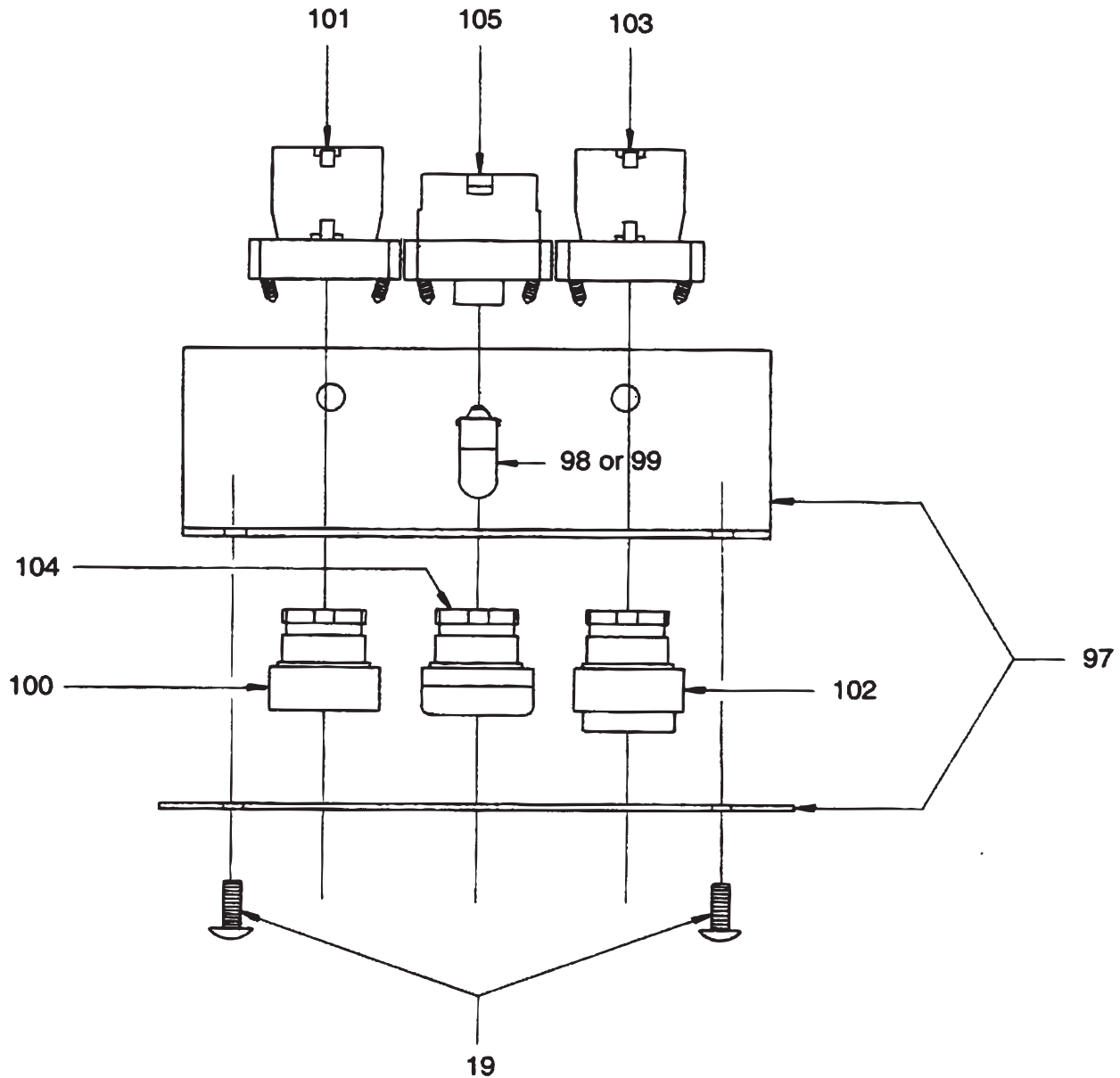
Parts Breakdown

Model MT-CA-0150 11059



Parts Breakdown

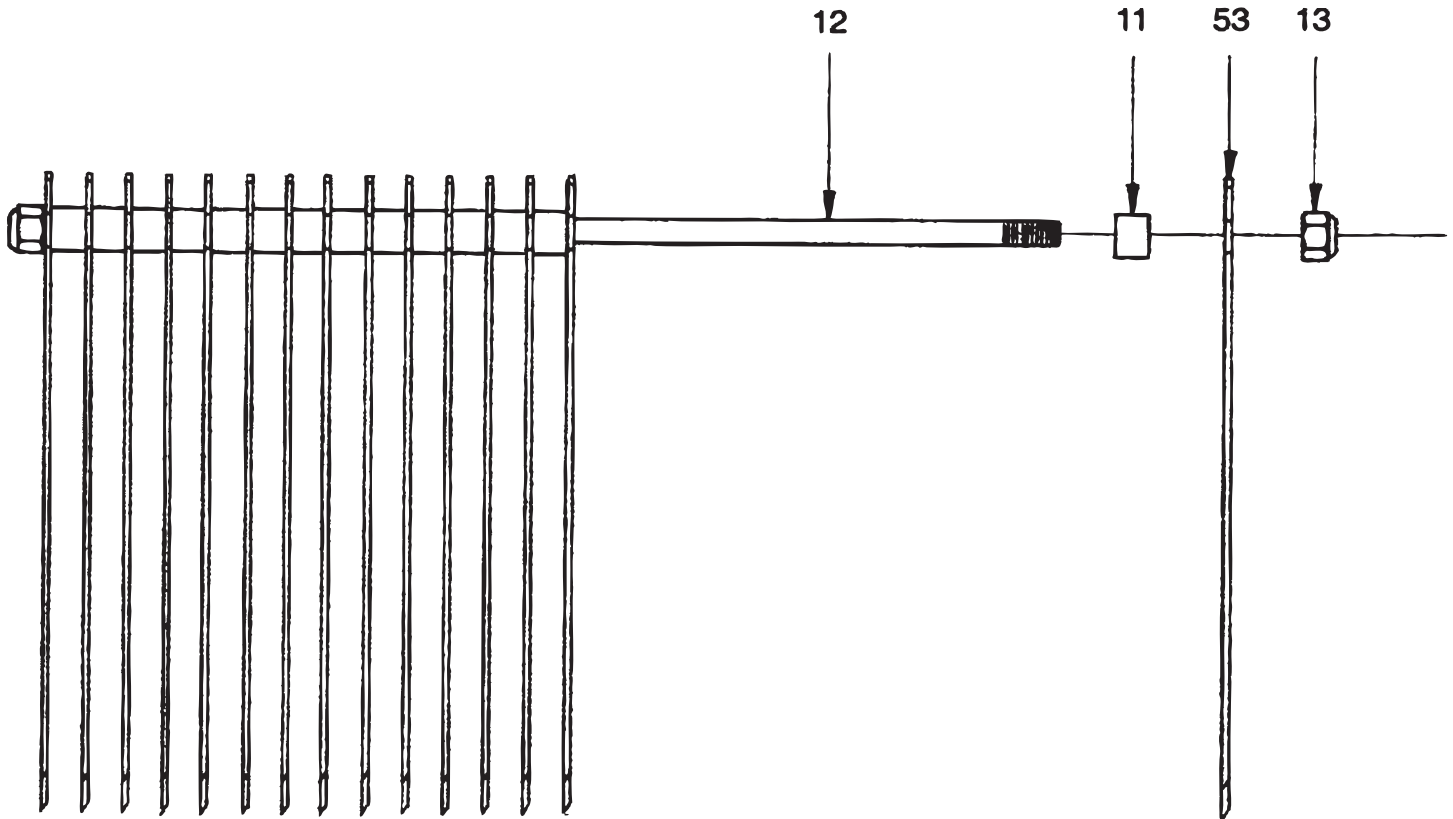
Model MT-CA-0150 11059



For Front Starter Switch ASSY
see ref. #96

Parts Breakdown

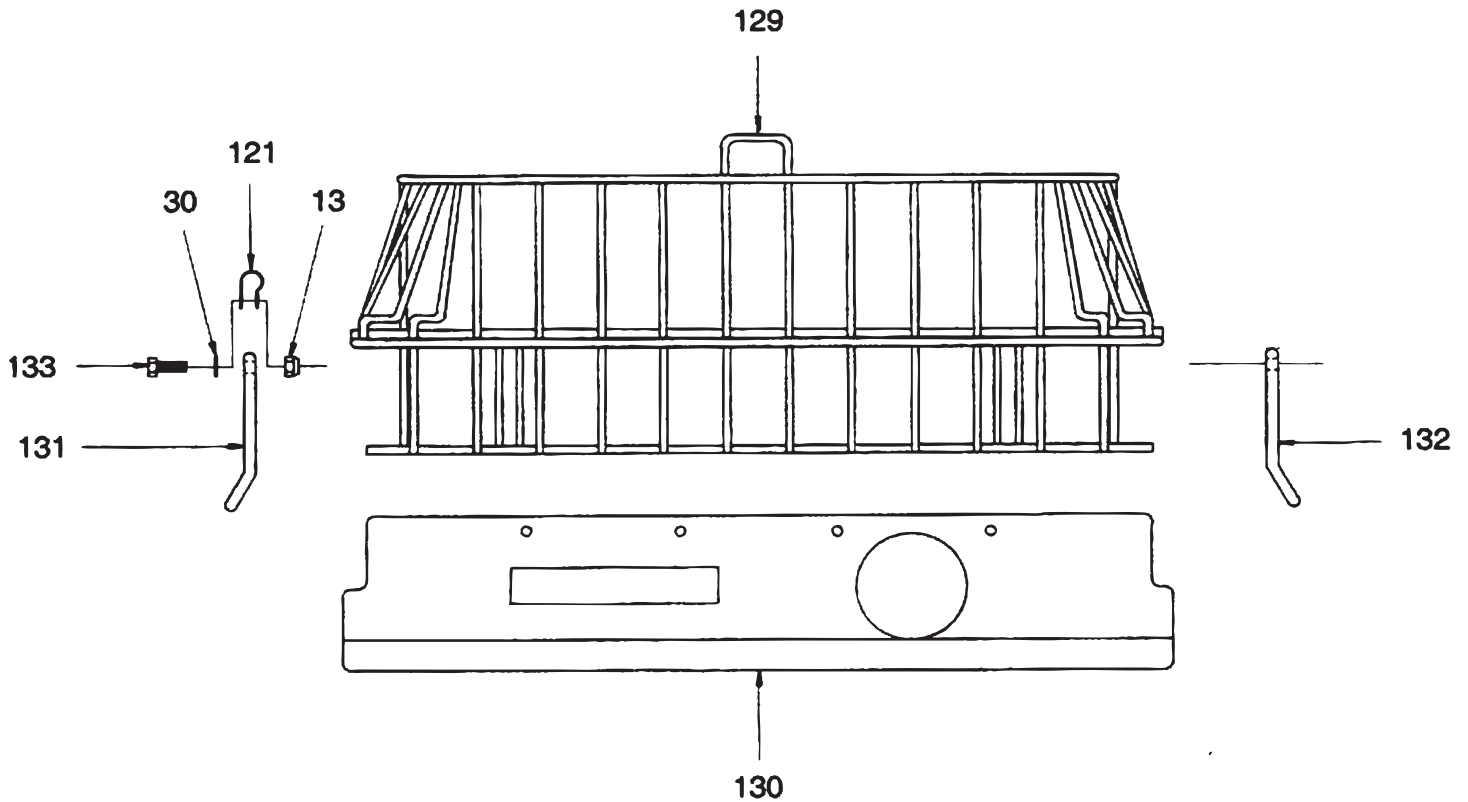
Model *MT-CA-0150* 11059



For complete set of blades
see ref. #52.

Parts Breakdown

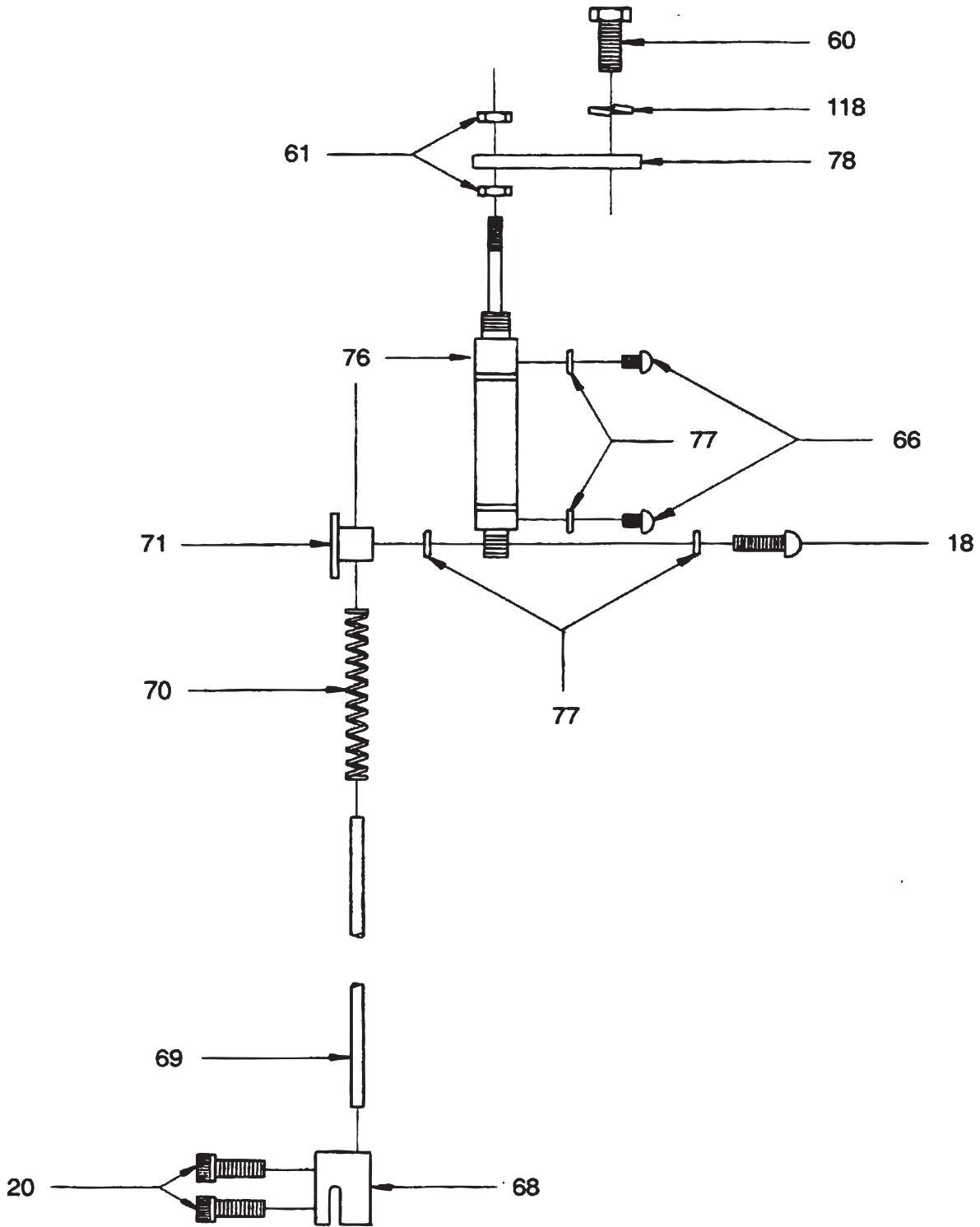
Model **MT-CA-0150** 11059



**For Safety Guard ASSY
see ref. #128**

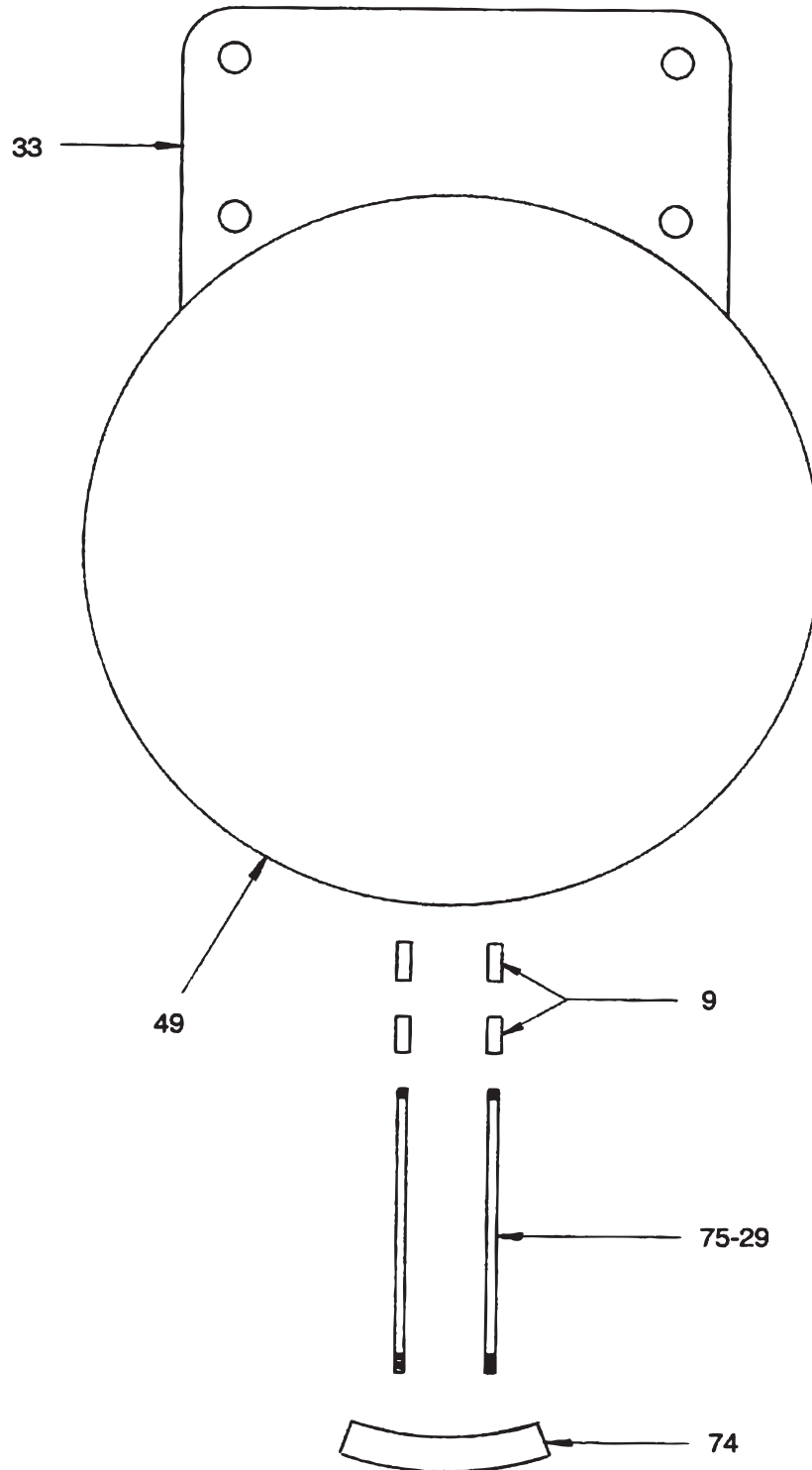
Parts Breakdown

Model MT-CA-0150 11059



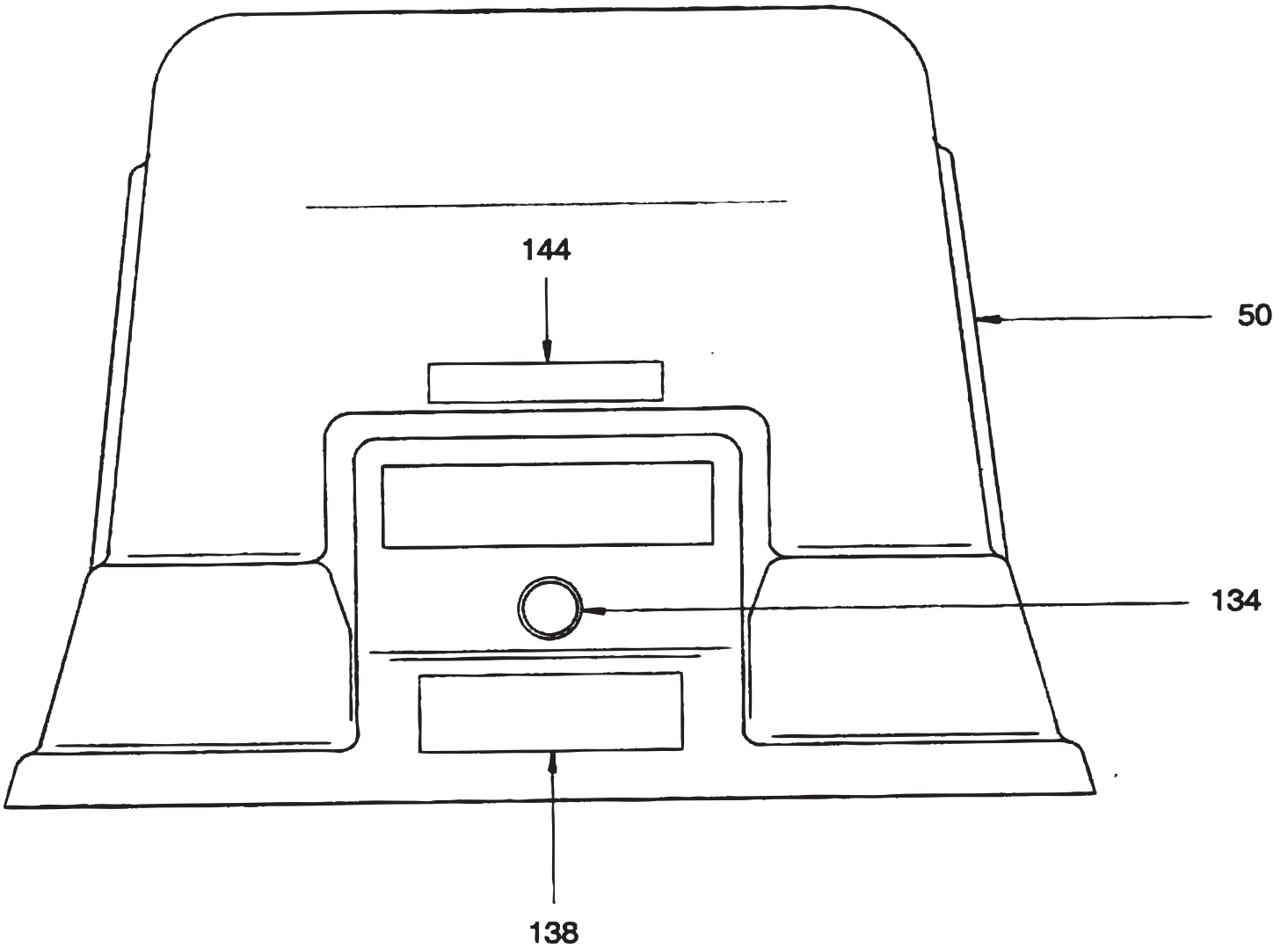
Parts Breakdown

Model **MT-CA-0150** 11059



Parts Breakdown

Model MT-CA-0150 11059



Parts Breakdown

Model MT-CA-0150 11059

139 → **DANGER** COUTEAUX TRÈS TRANCHANTS
POINTED SHARP KNIVES



141 → **COMMUTATEUR DE SÉCURITÉ** SECURITY SWITCH

142 →  **COMMUTATEUR DE RENVERSE** REVERSE SWITCH

143 → **DÉBRANCHER DU CIRCUIT D'ALIMENTATION AVANT D'OUVRIR**
DISCONNECT FROM THE SUPPLY CIRCUIT BEFORE OPENING

144 → **METTRE LES POINTES DES LAMES VERS L'AVANT**  **PLACE THE TIPS OF THE BLADES UP FRONT**

137 → 



Parts Breakdown

Model MT-CA-0150 11059

Item No.	Description	Position	Item No.	Description	Position	Item No.	Description	Position
40009	Lock Ring for 11059	1	AH849	Extension Inside Shaft for 11059	38	AH880	Shock Absorber for 11059	76
16276	Plastic Guide for 11059	2	AH850	Link Arm for 11059	39	AH881	O-Ring for 11059	77
AH821	Stainless Steel Hex Bolt 1/4-20x3/4 for 11059	3	16261	Block Needle Holder for 11059	40	AH882	Shock Absorber Bracket for 11059	78
16263	Square Bar for 11059	4	78700	Front Opening Bar for 11059	41	AH883	Reducer for 11059	79
AH822	Stainless Steel Flat Bar for 11059	5	AH851	Down Holder Assembly for 11059	42	AH884	Pulley Motor for 11059	80
AH823	Knurled Nut for 11059	6	78701	Down Holder Stainless Steel for 11059	43	AH885	Pulley Reducer for 11059	81
AH824	Pin for Lock Ring for 11059	7	AH852	Link Spacer for 11059	44	AH886	Belt for 11059	82
44868	Bushing 3/4" for 11059	8	44992	Spacer for 11059	45	16267	Cam for 11059	83
AH825	Bushing 1/4" for 11059	9	AH853	Hex Bolt 1/2-13x2" for 11059	46	40011	Cam Follower for 11059	84
AH826	Allen Set Screw 1" for 11059	10	AH854	Stainless Steel Front Flat Bar for 11059	47	AH887	Connecting Rod for 11059	85
AH827	Blades Spacer for 11059	11	AH855	Plate Top for 11059	48	AH888	Pin for Connecting Rod for 11059	86
AH828	Threaded Rod for 11059	12	16264	Round Board for 11059	49	AH889	Chrome Cap for 11059	87
79562	Lock Nut 10-32 for 11059	13	AH856	Hood for 11059	50	AH890	Strain Relief Connector for 11059	88
AH829	Nut 3/4" for 11059	14	AH857	O-Ring for 11059	51	AH891	Lock Nut 1/2" for 11059	89
AH830	Nut 1/4" for 11059	15	16265	Set of Blade Assembly for 11059	52	39061	Needle Bearing for 11059	90
AH831	Nut 3/16" for 11059	16	AH858	Stainless Steel Stop Nut 1/2" for 11059	54	45193	Retaining Ring for 11059	91
AH832	Bolt 1/4 x 1 1/2" for 11059	17	AH859	Nut 4-40 for 11059	55	AH892	Wire with Molded Plug for 11059	92
AH833	Bolt 3/16 x 1 1/4" for 11059	18	AH860	Screw 4-40x1" for 11059	56	AH893	Main Switch for 11059	93
AH834	Screw for Hood for 11059	19	AH861	Screw 4-40x1 1/2" for 11059	57	AH894	Overload 115V for 11059	94
AH835	Allen Cap Screw 3/4" for 11059	20	AH862	Screw 10-32x2 1/2" for 11059	58	AH895	Push Button Switch Assembly for 11059	96
AH836	Reg. Flat Washer 1/2" Stainless Steel for 11059	21	AH863	Flat Washer 1/2" Stainless Steel for 11059	59	AH896	Support and Stainless Steel Plate for 11059	97
AH837	Plain Washer 1/4" for 11059	22	AH864	Stainless Steel Hex Bolt 5/16-18x3/4" for 11059	60	16269	Light Bulb 115V for 11059	98
AH838	Internal Washer 3/4" for 11059	23	AH865	Stainless Steel Hex Nut 10-32 for 11059	61	AH897	Green Button for 11059	100
AH839	Internal Washer 1/2" for 11059	24	AH866	1/4-20x5/8 Truss Head for 11059	62	AH898	Contact N.O. for 11059	101
45682	Shaft Lock Washer for 11059	25	AH867	1/4-20x1/2 Pan Head for 11059	63	AH899	Red Button for 11059	102
AH840	Internal Washer 3/16" for 11059	26	AH868	Stainless Steel Screw 1/4-20 x 2" for 11059	64	AH900	Contact N.C. for 11059	103
AH841	Lock Washer 1/4" for 11059	27	AH869	Top Washer Bushing Holder for 11059	65	AH901	Pilot Light Reflector for 11059	104
40010	Spring Plate for 11059	28	AH870	Screw 10-32x1/4" for 11059	66	AH902	Contact for Pilot Light for 11059	105
AH842	Nut 1/4" for 11059	29	AH871	Sensor for 11059	67	AH903	Motor for 11059	106
AH843	Stainless Steel Plain Washer 3/16" for 11059	30	AH872	Block Aluminum for 11059	68	AH904	Joint Connector for 11059	107
AH844	Stainless Steel Lock Washer 1/4" for 11059	31	AH873	Stainless Steel Rod 3/16x11" for 11059	69	AH905	Female Connector for 11059	108
AH845	Teflon Bushing for 11059	32	AH874	Spring 2 1/2" for 11059	70	AH906	Male Terminal for 11059	109
AH846	Base for Frame for 11059	33	AH875	Sensor Detector for 11059	71	AH907	Band Spiro SW25P80 for 11059	110
AH847	Column for Frame for 11059	34	AH876	Bracket Sensor for 11059	72	AH908	Black Wire for 11059	111
AH848	Front Column for 11059	35	AH877	Stainless Steel Spacer Down Holder for 11059	73	AH909	Nipple 1/2" for 11059	112
39062	Exterior Posts for 11059	36	AH878	Support for Round Board for 11059	74	AH910	Ring Terminal for 11059	113
39063	Interior Posts for 11059	37	AH879	Stainless Steel Threaded Rod 1/4 x 8" for 11059	75	AH911	Magnetic Contactor for 11059	114

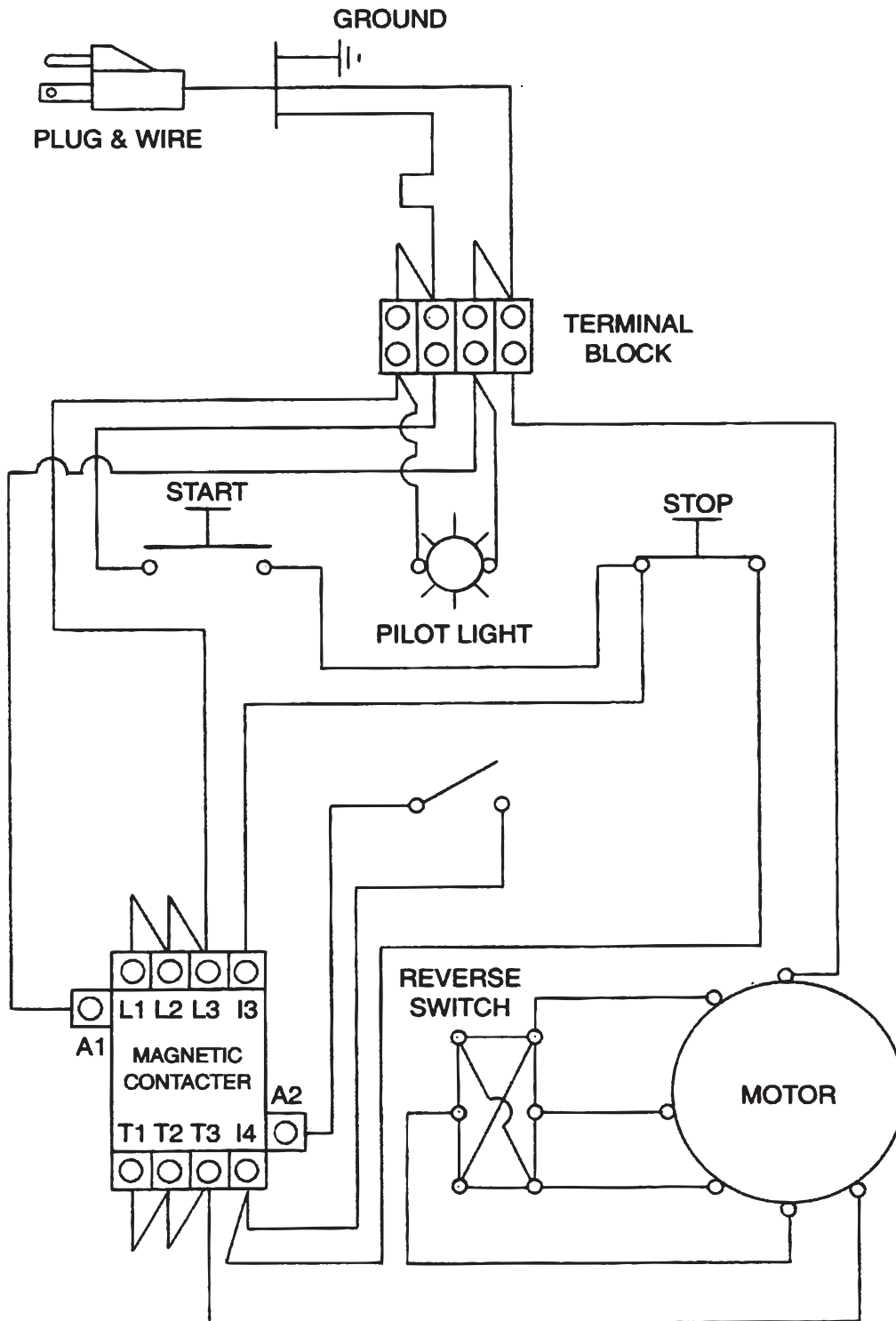
Parts Breakdown

Model MT-CA-0150 11059

Item No.	Description	Position	Item No.	Description	Position	Item No.	Description	Position
AH912	Coil 220V for 11059	115	AH922	Plate for Reverse Switch for 11059	125	AH932	10-32 U-Bolt Guard Hinger for 11059	135
AH913	Terminal Block for 11059	116	AH923	Washer 5/16" for 11059	126	AH933	1/2" Key for 11059	136
AH914	Rubber Bushing for 11059	117	AH924	Rubber Foot for 11059	127	AH934	Hood Striping Blue for 11059	137
AH915	Lock Washer 5/16" for 11059	118	AH925	Safety Guard Assembly for 11059	128	AH935	Label Danger for 11059	139
AH916	Ball Joint for 11059	119	AH926	Safety Guard for 11059	129	AH936	Label Pictogram for 11059	140
AH917	Retaining Ring for 11059	120	AH927	Acrylic Front for 11059	130	AH937	Label Security Switch for 11059	141
AH918	Plastic Clip for 11059	121	AH928	Acrylic Left for 11059	131	AH938	Label Reverse Switch for 11059	142
AH919	Nut 5/16" for 11059	122	AH929	Acrylic Right for 11059	132	AH939	Label Disconnect from the. for 11059	143
AH920	Bolt 5/16 x 1 1/2" for 11059	123	AH930	Stainless Steel Bolt 10-32 x 1/2" for 11059	133	AH940	Label Place the Tips. for 11059	144
AH921	Reverse Switch for 11059	124	AH931	Guard Button Assembly for 11059	134			

Electrical Schematics

Model MT-CA-0150 11059





Warranty Registration

Thank you for purchasing an Omcan product. To register your warranty for this product, complete the information below, tear off the card at the perforation and then send to the address specified below. You can also register online by visiting:

Merci d'avoir acheté un produit Omcan. Pour enregistrer votre garantie pour ce produit, complétez les informations ci-dessous, détachez la carte au niveau de la perforation, puis l'envoyer à l'adresse spécifiée ci-dessous. Vous pouvez également vous inscrire en ligne en visitant:

Gracias por comprar un producto Omcan usted. Para registrar su garantía para este producto, complete la información a continuación, cortar la tarjeta en la perforación y luego enviarlo a la dirección indicada a continuación. También puede registrarse en línea en:

<https://omcan.com/warranty-registration/>

For mailing in Canada

Pour postale au Canada

Por correo en Canadá

OMCAN

PRODUCT WARRANTY REGISTRATION

3115 Pepper Mill Court,

Mississauga, Ontario

Canada, L5L 4X5

For mailing in the US

Pour diffusion aux États-Unis

Por correo en los EE.UU.

OMCAN

PRODUCT WARRANTY REGISTRATION

4450 Witmer Industrial Estates, Unit 4,

Niagara Falls, New York

USA, 14305

or email to: service@omcan.com



Purchaser's Information

Name: _____

Address: _____

City: _____ Province or State: _____ Postal or Zip: _____

Country: _____

Dealer from which Purchased: _____

Dealer City: _____ Dealer Province or State: _____

Invoice: _____

Model Name: _____ Model Number: _____

Machine Description: _____

Date of Purchase (MM/DD/YYYY): _____

Would you like to extend the warranty? Yes No

Company Name: _____

Telephone: _____

Email Address: _____

Type of Company:

Restaurant Bakery Deli

Butcher Supermarket Caterer

Institution (*specify*): _____

Other (*specify*): _____

Serial Number: _____

Date of Installation (MM/DD/YYYY): _____

Thank you for choosing Omcan | Merci d'avoir choisi Omcan | Gracias por elegir Omcan



Since 1951 Omcan has grown to become a leading distributor of equipment and supplies to the North American food service industry. Our success over these many years can be attributed to our commitment to strengthen and develop new and existing relationships with our valued customers and manufacturers. Today with partners in North America, Europe, Asia and South America, we continually work to improve and grow the company. We strive to offer customers exceptional value through our qualified local sales and service representatives who provide convenient access to over 6,500 globally sourced products.

Depuis 1951 Omcan a grandi pour devenir un des “leaders” de la distribution des équipements et matériel pour l’industrie des services alimentaires en Amérique du Nord. Notre succès au cours de ces nombreuses années peut être attribué à notre engagement à renforcer et à développer de nouvelles et existantes relations avec nos clients et les fabricants de valeur. Aujourd’hui avec des partenaires en Amérique du Nord, Europe, Asie et Amérique du Sud, nous travaillons continuellement à améliorer et développer l’entreprise. Nous nous efforçons d’offrir à nos clients une valeur exceptionnelle grâce à nos ventes locales qualifiées et des représentants de service qui offrent un accès facile à plus de 6500 produits provenant du monde entier.

Desde 1951 Omcan ha crecido hasta convertirse en un líder en la distribución de equipos y suministros de alimentos en América del Norte industria de servicios. Nuestro éxito en estos años se puede atribuir a nuestro compromiso de fortalecer y desarrollar nuevas relaciones existentes con nuestros valiosos clientes y fabricantes. Hoy con socios de América del Norte, Europa, Asia y América del Sur, que trabajan continuamente para mejorar y crecer la empresa. Nos esforzamos por ofrecer a nuestros clientes valor excepcional a través de nuestro local de ventas y representantes de los servicios que proporcionan un fácil acceso a más de 6,500 productos con origen a nivel mundial.

